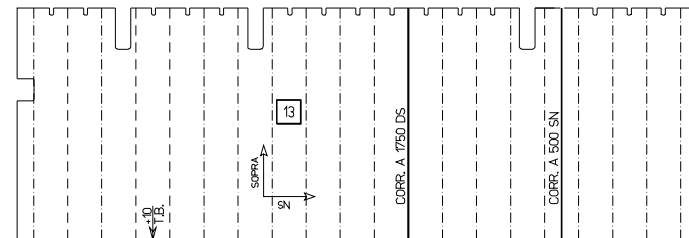
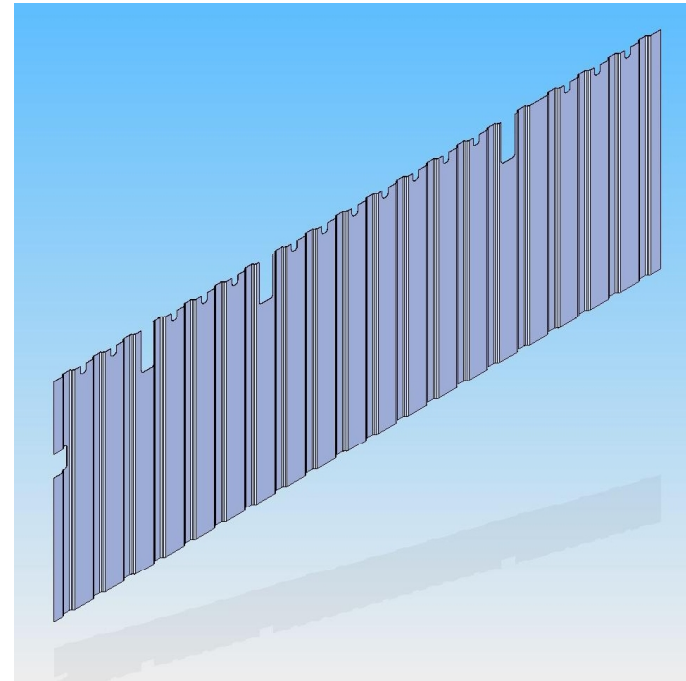
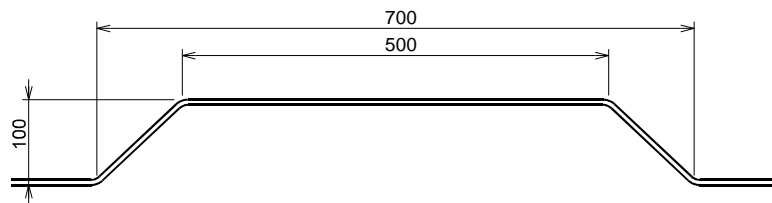
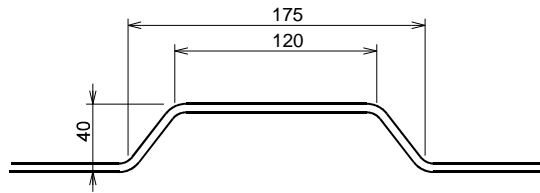
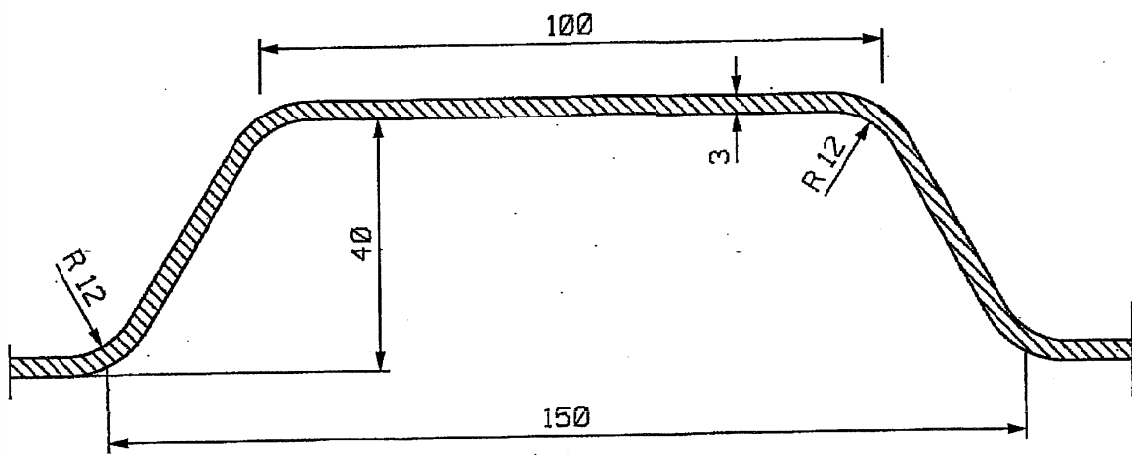




CORRUGATED PLATE

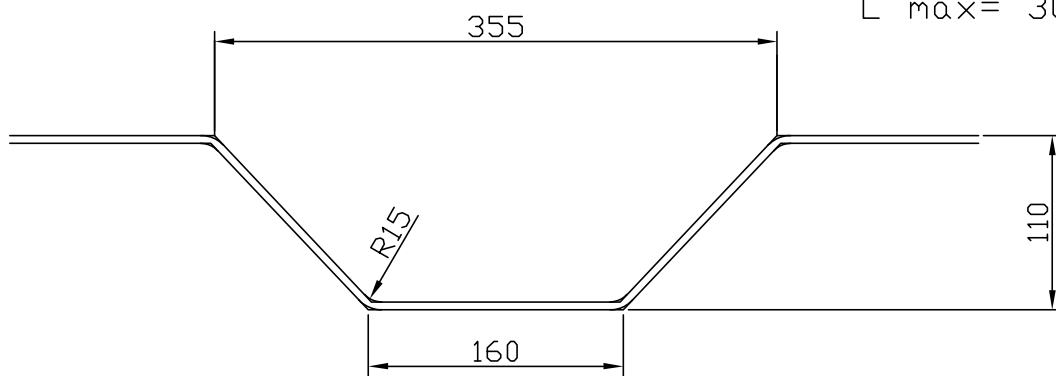
STANDARD DIMENSION
TH. 4-5-6 MM

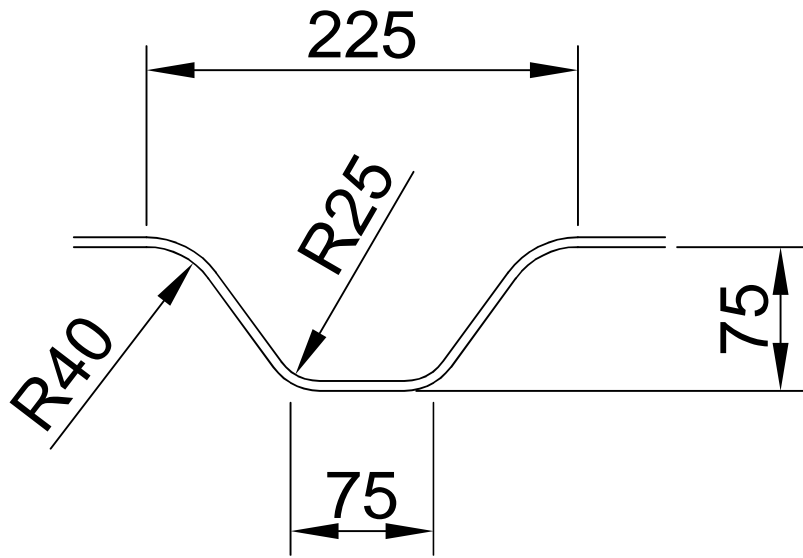




PASSO MINIMO: 370 mm
L max = 3000 mm

THICKNESS
5/7 mm
L max= 3000 mm





sp. 5-6-7

L max = 3000 mm